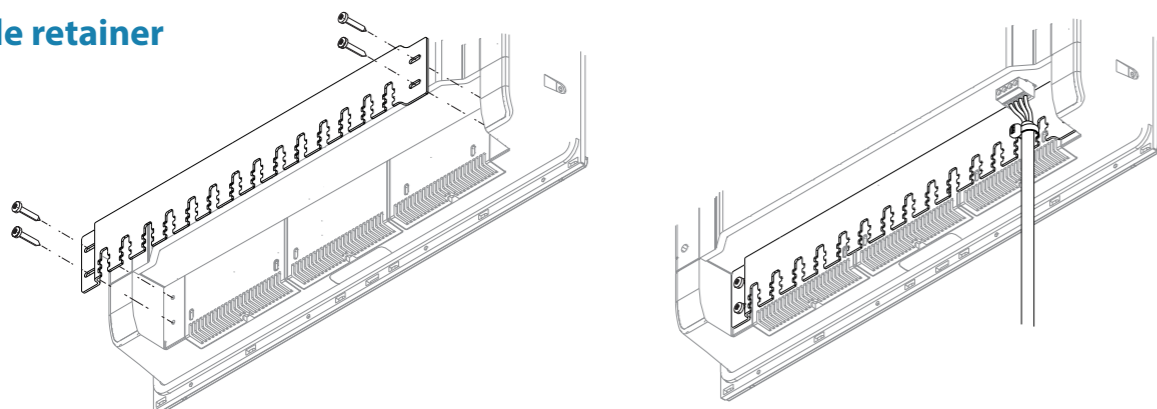


Technical specification

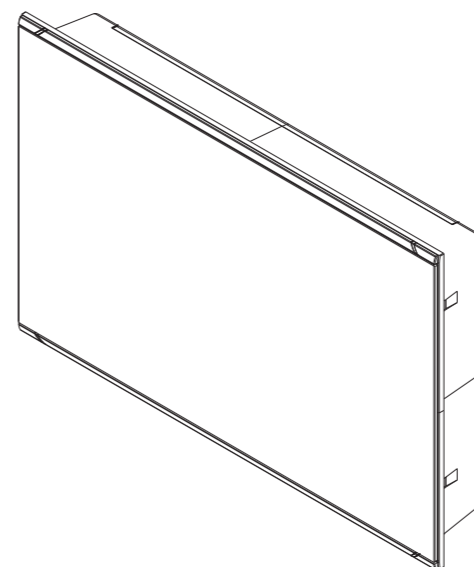
	16" unit	19" unit	24" unit
Display			
Resolution	1920 x 1080		
Brightness	1000 nits		
Touch screen	Full touch screen (multi-touch)		
Viewing angles in degrees (typical value @ contrast ratio = 10)	80° top/bottom, 80° left/right		
Electrical			
Supply voltage	12/24 V DC (10 - 31.2 V DC min - max)		
Power consumption - Max	40 W +- 4 W	50 W +- 4 W	80 W +- 4 W
Recommended fuse rating (12 V / 24 V)	6 A / 3 A	7 A / 4 A	10 A / 5 A
Environmental			
Temperature range	-15°C to +55°C (5°F to 131°F)		
Storage temperature	-20°C to +60°C (4°F to 140°F)		
Waterproof rating	IPX6 (when panel mounted correctly with only the front exposed)		
Humidity	IEC 60945 Damp heat 66°C (150°F) @ 95% relative (48 hr)		
Shock and vibration	100 000 cycles of 20 G		
Interface/Connectivity			
Ethernet	3x (RJ45)		
USB	3x (USB-A)		
J1393	1x (Micro-C)		
NMEA 2000	1x (Micro-C)		
NMEA 0183	4 ports		
Video output	1x high definition video output (1080p, no HDCP, HDMI-A)		
Video input	2x composite video (BNC) 1x high definition video (1080p, HDCP 1.4, HDMI-A)		
Data card reader	1x slot (microSD)		
Wireless	Internal 802.11b/g/n		
Physical			
Compass Safe Distance - Metric, imperial	50 cm		
Weight (display only)	3.9 kg (8.6 lbs.)	4.8 kg (10.5 lbs.)	7.8 kg (17.2 lbs.)
Mounting type	Panel mount or bracket (optional accessory)		

Cable retainer



SIMRAD

NSO evo3 INSTALLATION GUIDE



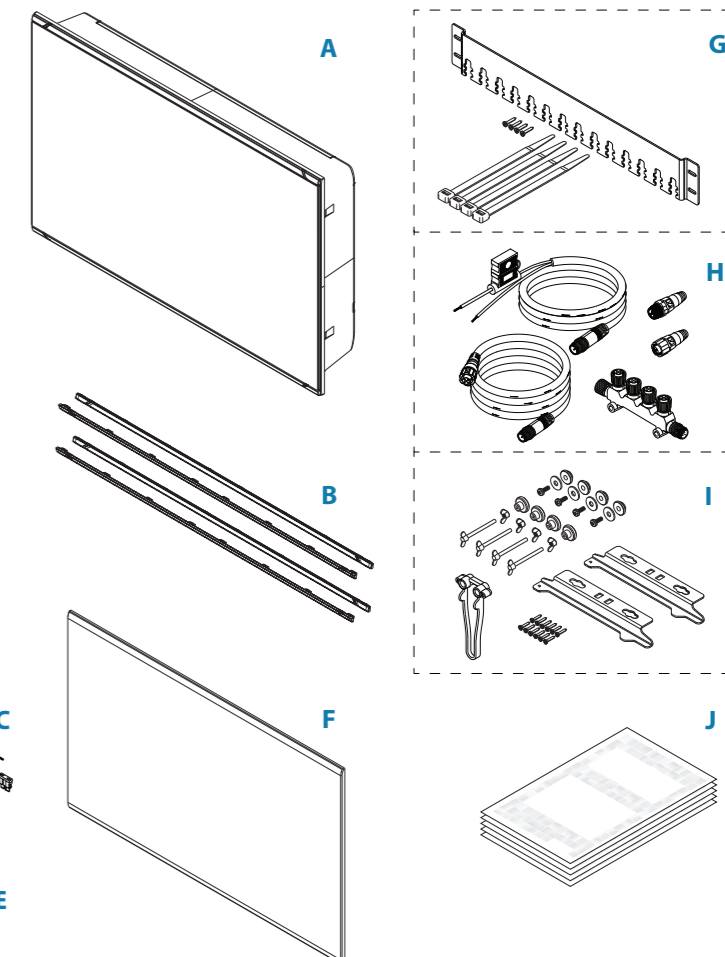
For product manuals, technical specifications, certificates and declarations refer to the product website:

www.simrad-yachting.com

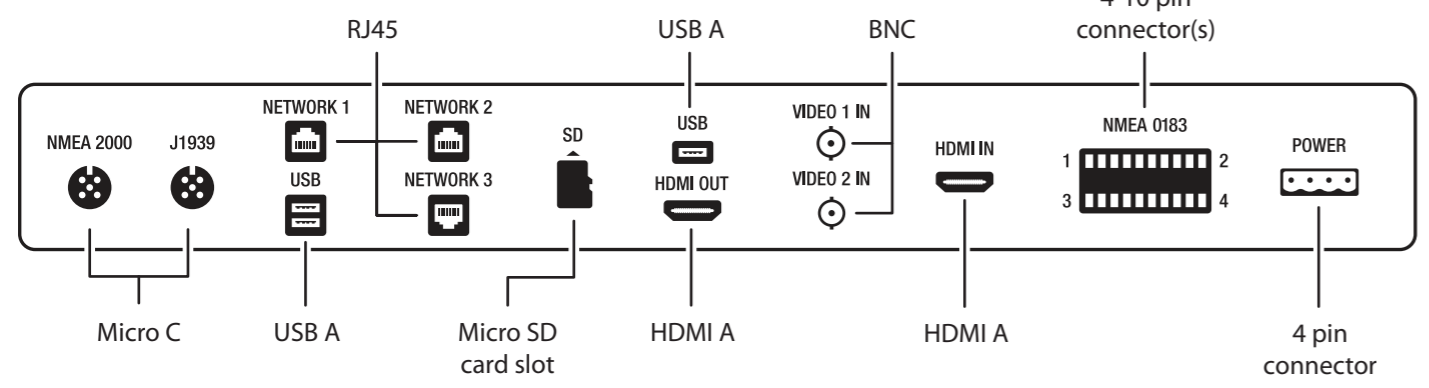


Parts included

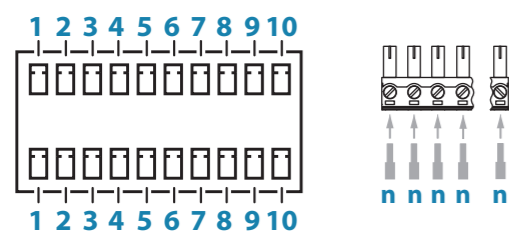
- A.** Display unit
- B.** Bezels
 - 1 set black bezels
 - 1 set silver bezels Documentation pack
- C.** Power cable, fuse, fuse holder and connector block
- D.** RJ45 to 5-pin Ethernet adapter cable
- E.** NMEA 0183 connector block
- F.** Suncover
- G.** Cable retainer kit
- H.** NMEA 2000 starter kit
- I.** Panel mounting kit
- J.** Documentation pack



Rear connections



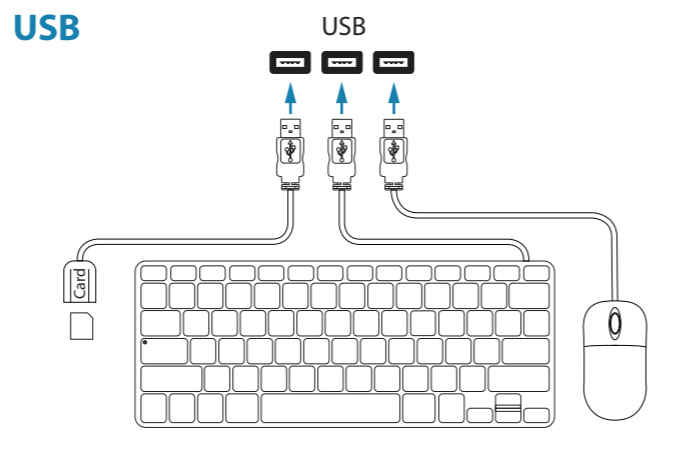
NMEA 0183



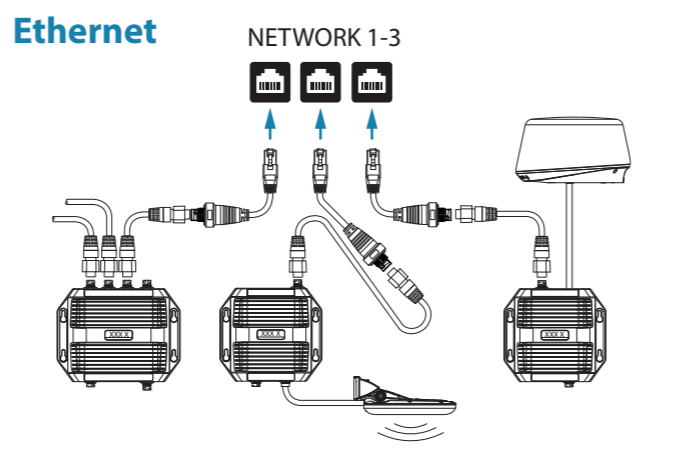
Pin	Top row	Bottom row	Purpose
1	Port 1	Port 3	TX_B (-)
2	Port 1	Port 3	TX_A (+)
3	Port 1	Port 3	RX_B (-)
4	Port 1	Port 3	RX_A (+)
5	Port 2	Port 4	TX_B (-)
6	Port 2	Port 4	TX_A (+)
7	Port 2	Port 4	RX_B (-)
8	Port 2	Port 4	RX_A (+)
9	Port 2	Port 4	Common
10	Port 2	Port 4	Shield
n	4 to 10 pin connector(s) can be used. The pin number (n) depends on the connectors location in the unit socket.		

→ **Note:** Ports 2 and 4 have additional Common and Shield connections to conform to NMEA 0183-HS.

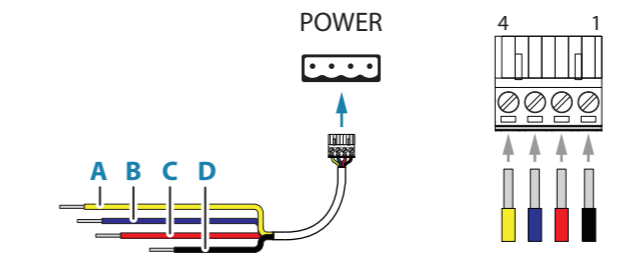
USB



Ethernet

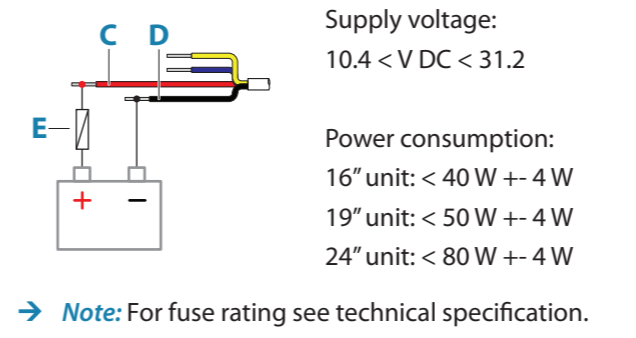


Power

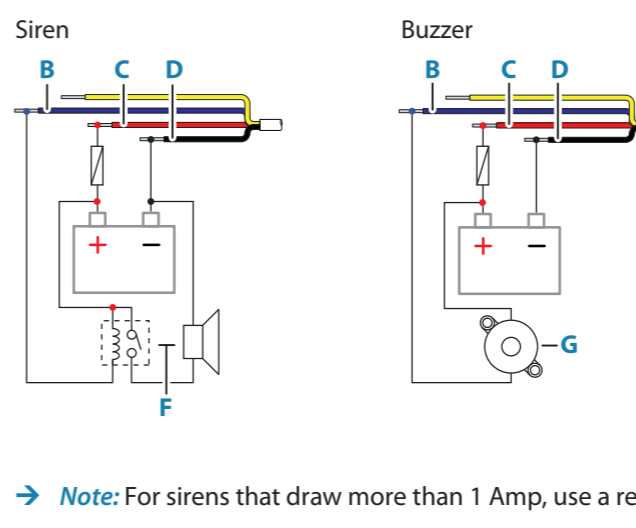


- A. Power control (Yellow)
- B. External alarm (Blue)
- C. DC positive +12/24 V (Red)
- D. DC negative (Black)
- E. Fuse
- F. Siren and relay
- G. Buzzer
- H. Ignition switch
- I. Master/Slave bus

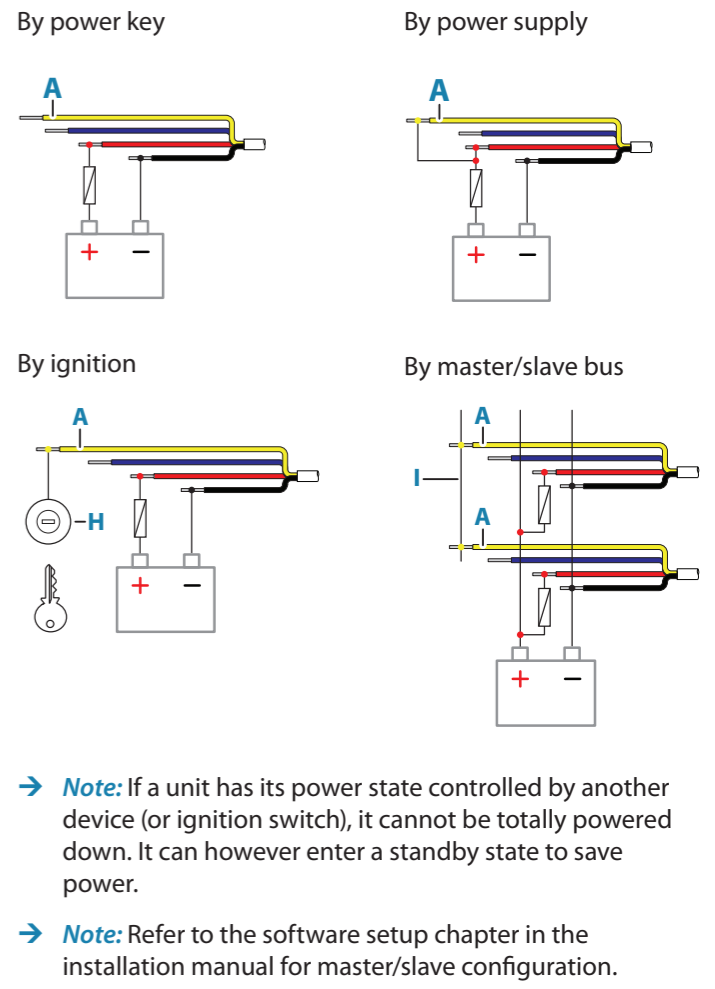
Power



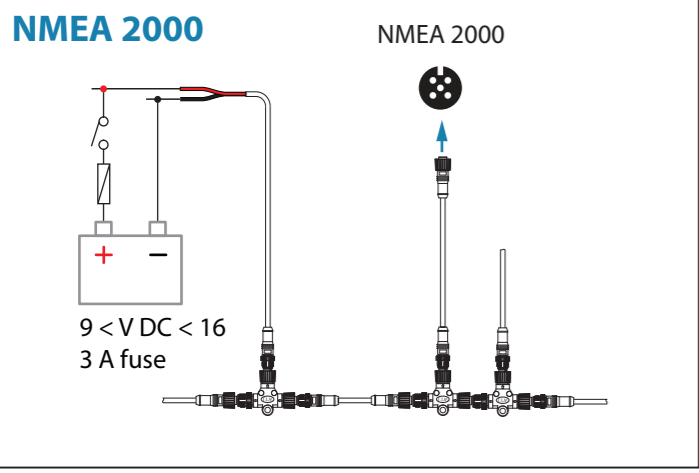
External alarm



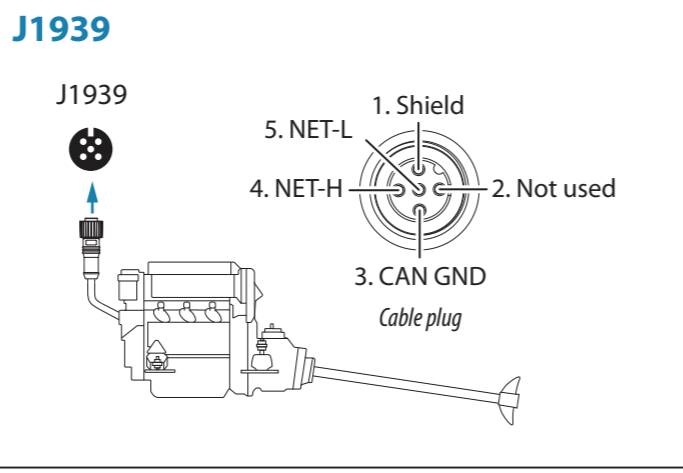
Power control



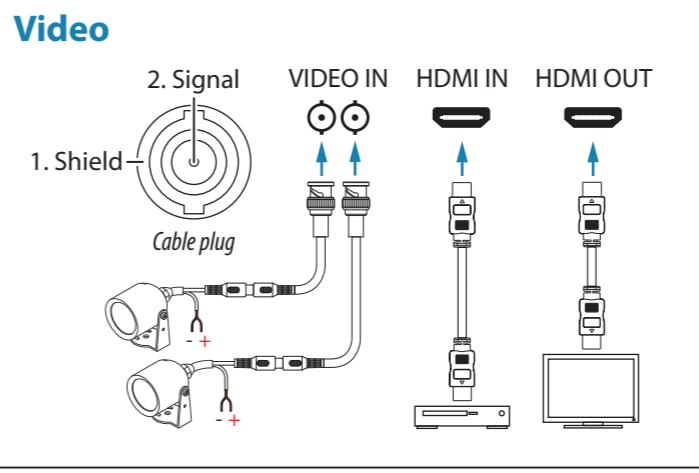
NMEA 2000



J1939



Video



SD card

